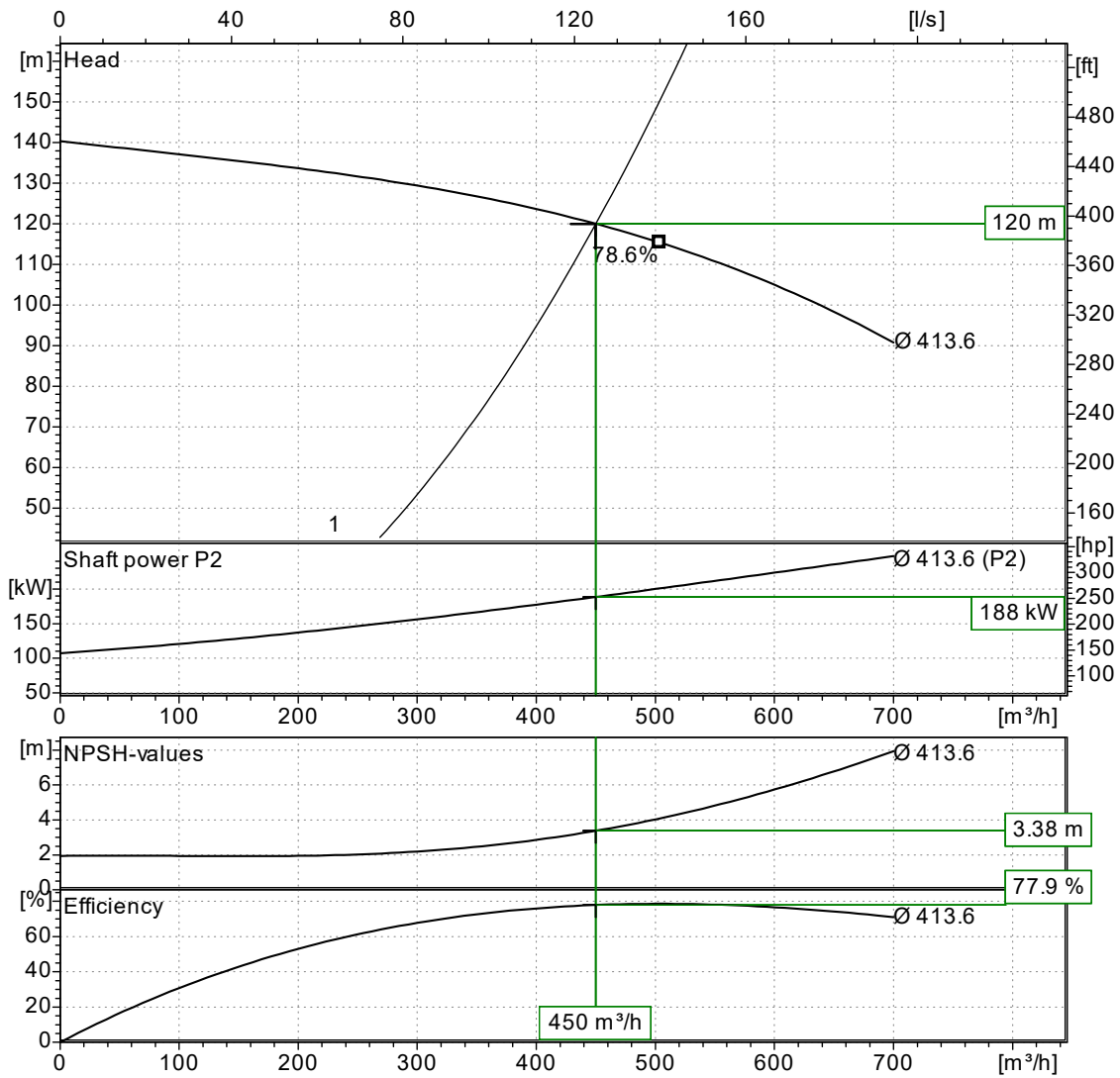


Company		Date	19/08/2020
Project		Item	
Pump	SKM 200/2	Ref No.	

Operating Point Data

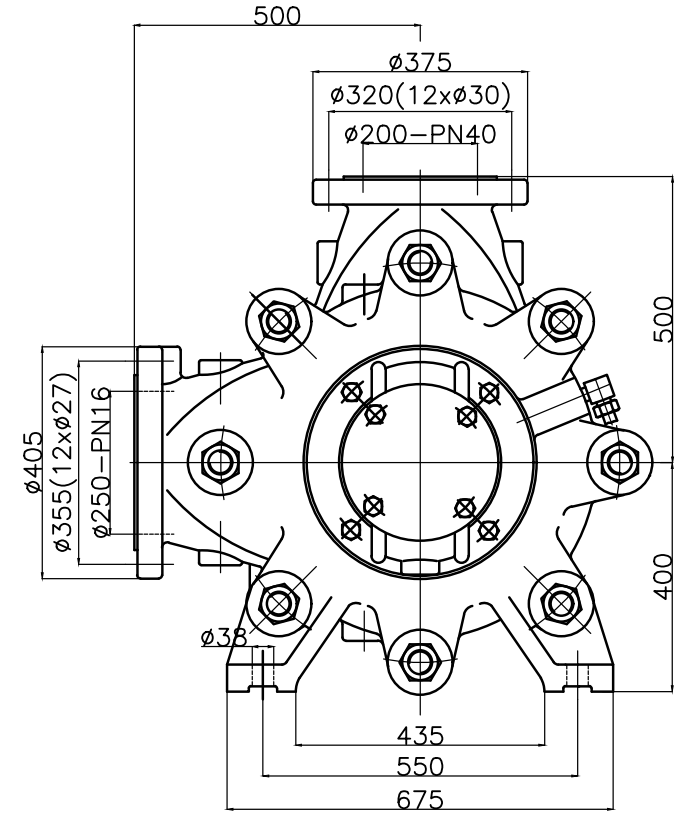
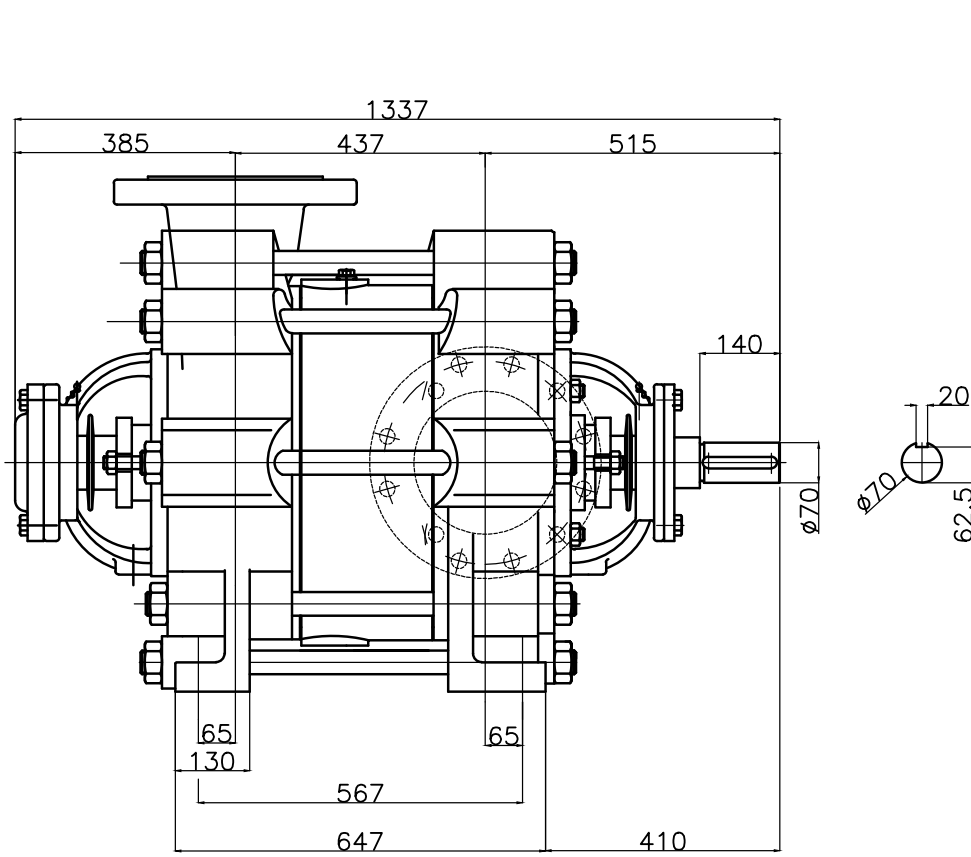
Capacity:	450.0 m ³ /h	NPSHr:	3.4 m
Head:	120.0 m	Motor Power:	250.00 kW
Efficiency (%):	77.9	Speed:	1490 rpm
Power at Duty Point:	188.4 kW	Frequency:	50 Hz
Max. Shaft Power:	247.3 kW	Density:	998.30 kg/m ³



Curves compatible with ISO 9906:2012 Gr 3B

NPSHa > NPSHr + 1m

Created by:



POMPA TiPi
PUMP TYPE

SKM 200-2

Motor

Tipi
Type

Güç / Devir
Power / Speed

-

-

Standart
POMPA ve MAKİNA SAN.TİC.A.Ş.

BU ÇİZİM VEYA TASARIMIN HERHAKKI MAHFUZDUR.HERHANGİ BİR AMAÇLA KOPYA EDİLEMEZ VE ÇOGALTILAMAZ
ALL RIGHTS RESERVED CAN NOT BE COPIED AND REPRODUCED.FOR ANY PURPOSE WITHOUT PERMISSION.